



## SiX-26eF

**AV ELECTRONICS MARKETING SDN BHD**  
[www.iva.com.my](http://www.iva.com.my)



**Active Full-range Speaker**

# SiX-26eF

Active Full-range speaker

## Description

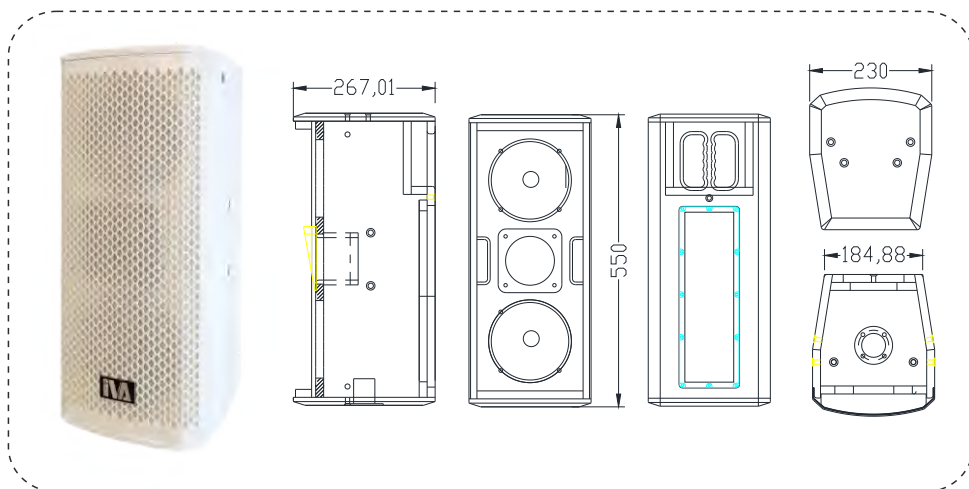
► The IVA SiX-26eF is a testament to IVA's commitment to developing advanced passive technologies aimed at combating echo and excessive reverberation. The "eF" designation is the acronym of echo fighter — our first loudspeaker engineered specifically to deliver clear, intelligible sound in acoustically challenging venues. Designed for deployment in echo-prone spaces such as mosques, churches, shopping mall concourses, and meeting rooms, the SiX-26eF performs exceptionally as an active full range loudspeaker.

Its flexible form factor also makes it ideal for use as a front fill, under-balcony speaker, or stage monitor—simply rotate the horn for horizontal placement. The IVA SiX-26eF is the ultimate solution for venues seeking clarity, control, and high-quality sound in acoustically demanding spaces.

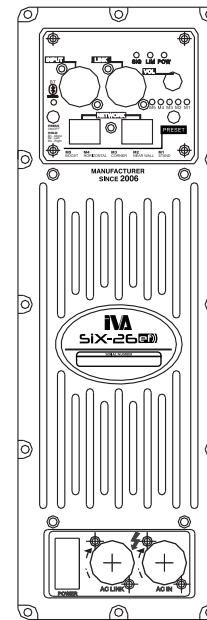
## Product Features

- Utilizes the high quality Analog Device's SigmaDSP® chipset
- Passive waveguide control designed for echo and reverb prone spaces
- 5 custom tuned presets for variety of loudspeaker deployment
- Rotatable Horn for front fill, under balcony and stage wedge deployment
- Constructed with solid plywood cabinets designed for low tuning frequency
- Optional designer grille for mosque and church

## Outline Drawing



## Amplifier Module



## DSP Presets:

- M1 Stand**  
For deployment on a stand or in open space, where boundary interference is minimal.
- M2 Near Wall**  
Compensates for the low-frequency gain and early reflections introduced by a single adjacent wall.
- M3 Corner**  
Applies the necessary low-frequency cuts to mitigate the significant bass buildup and room mode excitation common in corner placements.
- M4 Horizontal**  
Optimized for use as front fill, under-balcony, or horizontally oriented as a stage monitor, often requiring specific high-pass filtering or high-shelves filtering. Horn to be rotated 90° Bias downward (under balcony) or Bias upward (front fill)
- M5 Boost**  
A specialized mode that applies a controlled low-frequency enhancement for situations demanding extra bass extension or impact.

## Bluetooth Audio Setup

- ON/OFF** : Press the On/Off once, the light will blink to turn on Bluetooth  
Press On/Off on more time to turn off the Bluetooth, and the light will turn off.
- HOLD** : While the light is blinking, long-press the button to switch between three Bluetooth mode:
- B1 -Mono** 1 x blink: Mono mode. Left and right channel combine to single output.
  - B2 -Left** 2 x blink: TWS Stereo mode. Speaker is outputting left channel.
  - B3 -Right** 3 x blink: TWS Stereo mode. Speaker is outputting right channel.

In TWS mode, only one hotspot will appear on your phone.  
In TWS mode, left speaker set to B2 mode and right speaker set to B3 mode.

## Specification

| Description                  | Advance DSP 2-Way Column Loudspeaker with Buletooth                  |
|------------------------------|--|
| Power Configuration          | Bi-amped   |
| Transducer Low               | 2 x 6.5" Woofer, 1.6" Voice Coil                                     |
| Transducer High              | 1" Tweeter, 1" Voice Coil  |
| DSP                          | 24 bit 48 kHz SigmaDSP®  |
| Horn Coverage                | Rotatable 80° H x 60° V, 10° bias downward vertically                |
| Frequency Response (+/- 3dB) | 52 Hz – 18 kHz   |
| Crossover Frequency          | Electronics at 1300 Hz   |
| Max SPL                      | 122 dB   |
| Power Rating                 | 300 Watt RMS<br>600 Watt Peak  |
| Connectors                   | 1 x XLR In, 1 x XLR Out, 2 x RJ45, 1 x PowerCon In, 1 x Powercon Out |
| External Control             | Volume Control / Power ON / Preset Switch                            |
| Electronics Protection       | Thermal / Overload / DSP Limiter / DSP Compressor                    |
| Power Supply                 | AC 230V, 50/60 Hz  |
| Enclosure Construction       | Plywood Cabinet, Metal Grille, Handle-On Top                         |
| Mounting Options             | Pole Mount, Floor Wedge M8 Legs, 14 x M8 Fly Points                  |
| Power Consumption            | 300 Watt 1.5 Ampere  |
| Weight                       | 12.5 kg net, 14 kg (shipping)  |
| Dimensions (WDH)             | 230 x 267 x 550 mm<br>270 x 307 x 590 mm (carton)                    |